



SERVERS

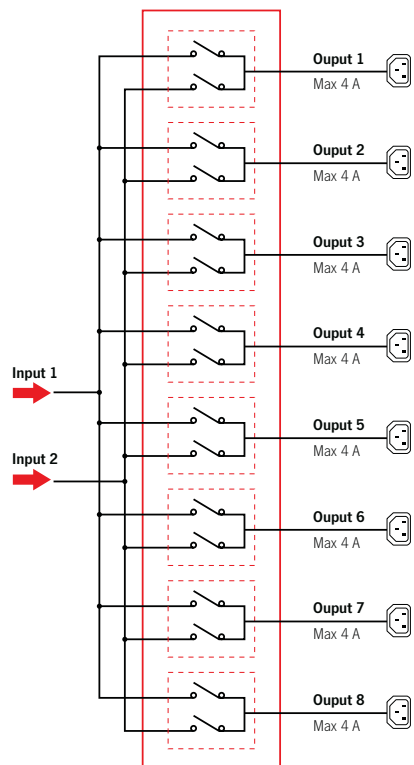
# Multi Switch

## 16A

### Single-phase

## Highlights

- Redundant power supply
- Load protection
- Versatility of use



Multi-SWITCH allows for extreme power supply continuity to the installation. Its operating principle ensures higher reliability than a single UPS or one with a bypass.

### Operating principle

Multi-Switch allows for the remote distribution and management of 8 utilities in a system with two power supply lines of any type (two mains inputs, or two UPS devices).

Multi-Switch is able to connect each of the 8 loads (each with a maximum absorption of 4A) to one of the two power lines, while simultaneously monitoring absorption.

### Protection against load faults

If the event of a load fault (for example due to a short circuit or overload) the Multi-switch disconnects the load, in order to prevent disturbing

the operation of the other loads (in case of poor protection selectivity).

### Protection against power supply faults

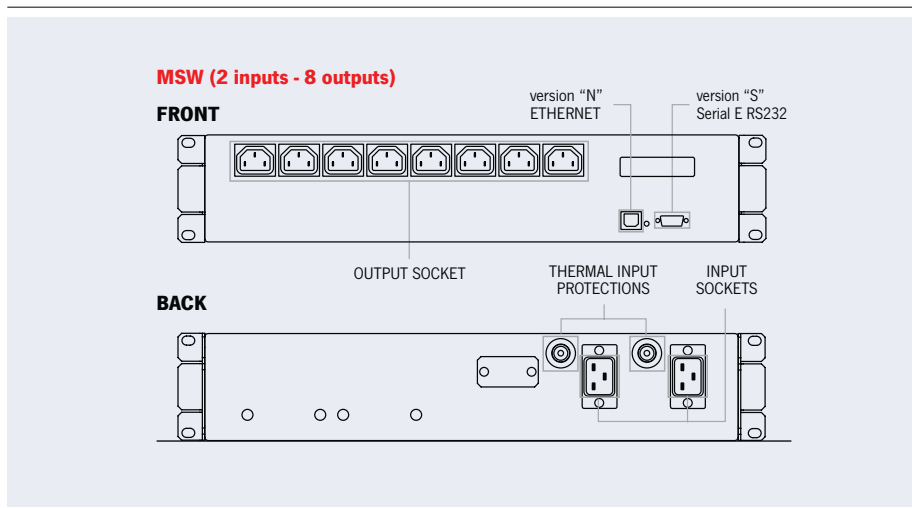
In the event one of the two power sources is not within the tolerances, Multi-Switch will switch the other utilities to the second power source (switching is instantaneous if the two sources are in phase).

### Features

- Full utilities protection against mains and load failures
- Versatility of use: Multi-SWITCH can be powered with 2 different power supplies (2 UPS devices even of different sizes/ types)
- Wiring on 19" cabinet
- LCD display for monitoring measurements / alarms / statuses
- Can be connected to PowerNetGuard

supervision software (Ethernet version)

- No signal connection between the Multi Switch and the power sources or utilities is necessary.
- Visualisation software
- Network interface.



MODELS	MSW
POWER	16A
INPUT	
Nominal voltage	180 - 276 Vac
Nominal frequency	50 or 60 Hz
Max load for every input (A)	16
Input sockets	2 IEC 320 (16A)
OUTPUT	
Nominal voltage	choice between the two input power sources
Max load for every output (A)	4
Output socket	8 IEC 320 10A
INFO FOR INSTALLATION	
Weight (kg)	10
Dimensions (hwd) (mm)	2U x 19" x 360
Ambient temperature	0°C / +40°C
Relative humidity	< 95% non-condensing
Protection devices	Overcurrent - overvoltage - undervoltage - thermal - protection against energy back-feed
Max altitude	3000 m
Max altitude (in storage conditions)	6000 m; 45 °C
Communication	RS232 in MSW-S / Ethernet in MSW-N
Colour	Dark grey RAL 5004
Protection level	IP20
Noise level	< 35 dBA a 1 m